

TOAPLAN Snow Bros, Nick and Tom – Graphics

File: SnowBros_Graphics.kicad_sch

TOAPLAN Snow Bros, Nick and Tom – Video

File: SnowBros_Video.kicad_sch

TOAPLAN Snow Bros, Nick and Tom – Sound

File: SnowBros_Sound.kicad_sch

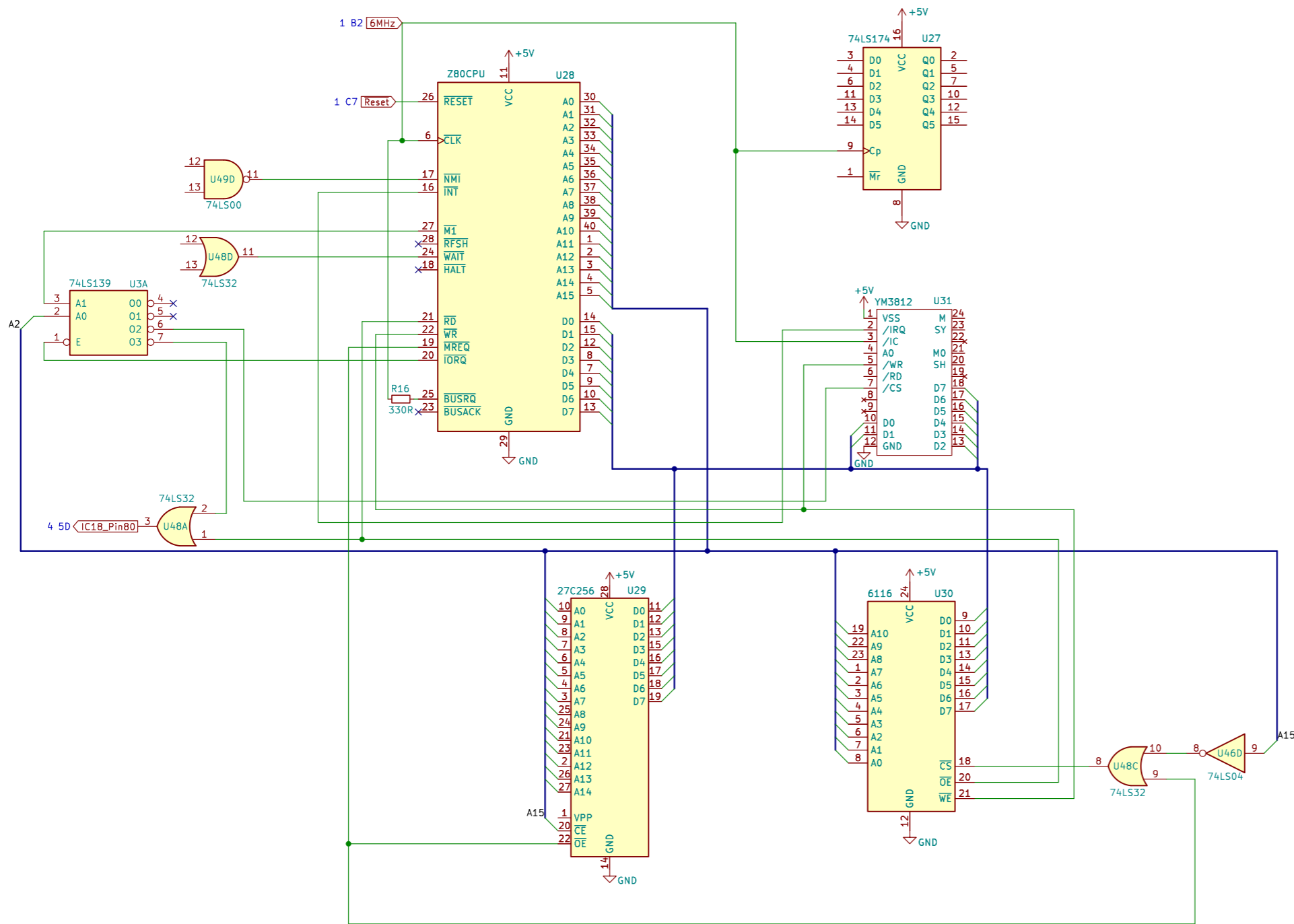
pcbs.com.au – Shane Chrisp

Sheet: /
File: SnowBros.kicad_sch

Title: TOAPLAN Snow Bros, Nick & Tom – CPU

Size: A3 Date: 2022-07-19
KiCad E.D.A. 9.0.2

Rev: 2
Id: 1/4



pcbs.com.au - Shane Chrisp

Sheet: /TOAPLAN Snow Bros, Nick and Tom - Sound/
 File: SnowBros_Sound.kicad_sch

Title: TOAPLAN Snow Bros, Nick and Tom - SOUND

Size: A3 Date: 2022-07-19
 KiCad E.D.A. 9.0.2

Rev: 2
 Id: 2/4

